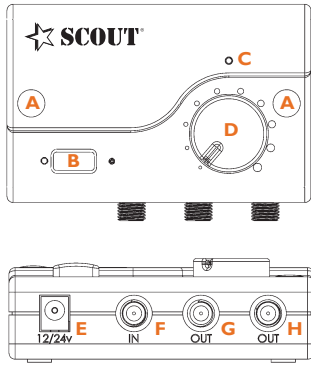


## CONNECTIONS AND FEATURES



- A:** Wall fixing hole
- B:** On/off power switch
- C:** LED power indicator
- D:** Gain control knob
- E:** 12/24V power input
- F:** Antenna input
- G:** TV/Radio output
- H:** TV/Radio output

## FAULT FINDING

No picture on TV

- ▶ Check amplifier LED is on
- ▶ Check coaxial cable connections
- ▶ Adjust gain of amplifier
- ▶ TV or set top box not tuned in
- ▶ Poor reception area

Picture breaks up or freezes

- ▶ Adjust gain of amplifier
- ▶ Poor reception

Power LED does not illuminate when power is switched on

- ▶ No power, check other devices on same electrical circuit
- ▶ Fuse has blown

## 2 YEAR GUARANTEE

This signal booster is guaranteed against defective parts or workmanship for 2 years from time of purchase. This excludes any malfunction caused by improper use, accidental or malicious damage or removal of the outer casing. This does not affect your statutory rights.

## SPECIFICATIONS

Fuse Type: **2A F type 1 1/4" x dia 1/4"**  
 Frequency Range (MHz): **40-860**  
 Channels: **2-69**  
 Gain control: **0-18dB**  
 Input power: **12-24V x 50mA DC**  
 Noise: **<4dB**

Designed for continuous use  
 Designed for indoor use only

## SAFETY WARNINGS

- ▶ This booster is only suitable for vehicles with a negative chassis earth
- ▶ Disconnect battery before starting installation
- ▶ To avoid injury always route cables or wiring carefully
- ▶ Always follow manufacturer's operating and safety instructions before using tools and/or equipment
- ▶ Do not install appliance where it could be exposed to water or moisture
- ▶ For indoor use only
- ▶ **If in doubt consult a qualified electrician or professional aerial installer**

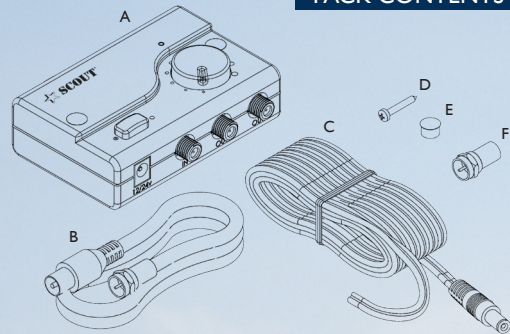
Waste electrical products should not be disposed of with household waste.

Please recycle where facilities exist.

Check with your local authority for recycling advice.



## PACK CONTENTS



- A: Variable Signal Booster x 1
- B: 'F' to Coaxial Flylead x 1
- C: 12/24V fused power cable x 1
- D: Screw x 2
- E: Screw Cap x 2
- F: 'F' Connector x 2

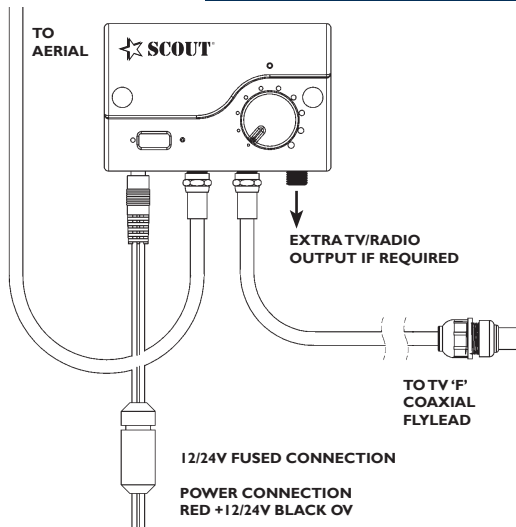
**SCOUT**  
 Professional Marine Antennas Made In Italy

[www.scoutantenne.com](http://www.scoutantenne.com)

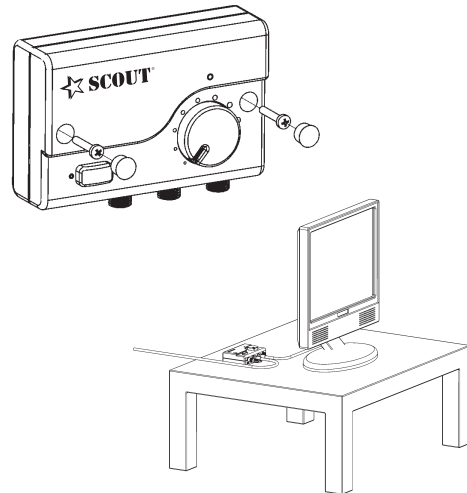
SCOUT reserves the right to change specifications without prior notice.

Installation instructions inside

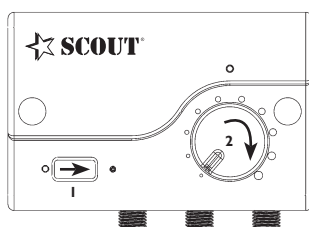
## CONNECTION DIAGRAM



## MOUNTING OPTIONS



## OPERATION



1. Slide power switch to right. LED indicator should now be on.
2. Turn gain control knob clockwise to increase signal strength.

## FITTING 'F' CONNECTOR

